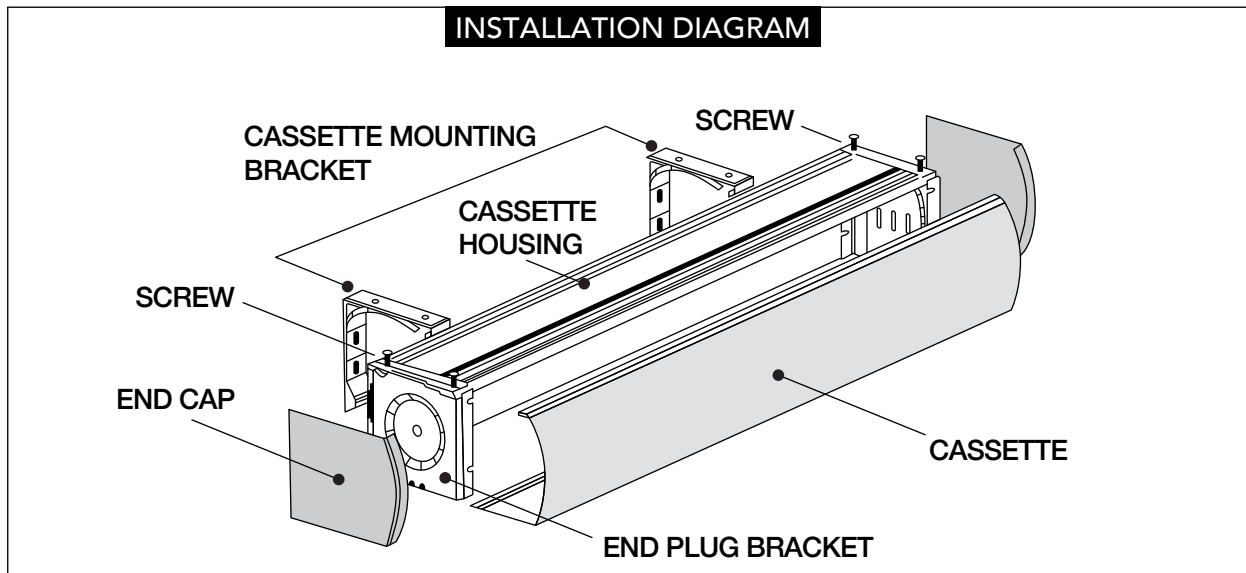
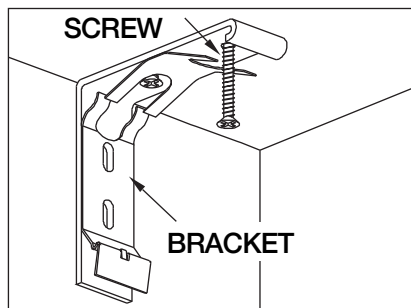
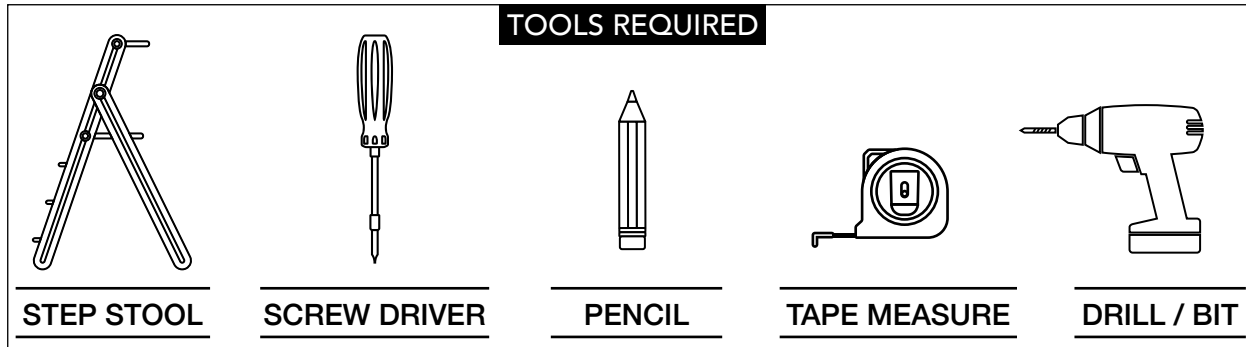


IF YOU ARE MISSING A PACKAGE, PLEASE CONTACT US.  
1-201-313-0100

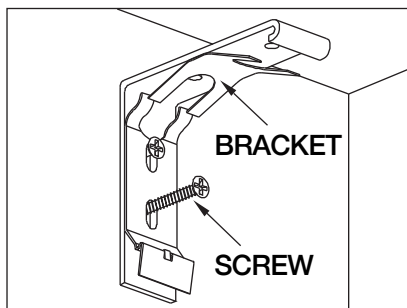
**INSTALLATION DIAGRAM**



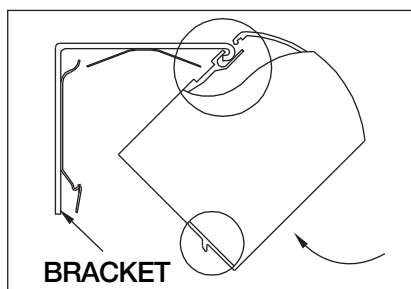
**TOOLS REQUIRED**



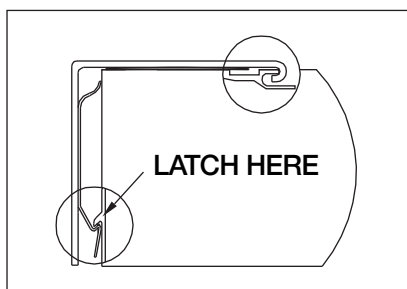
**1A** CEILING MOUNT



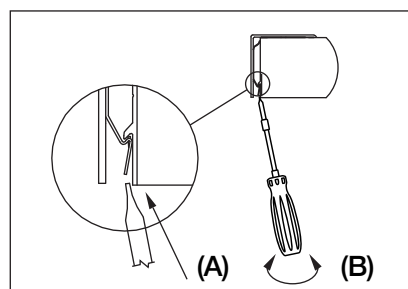
**1B** WALL MOUNT



**2** HOOK ON THE LIP OF CASSETTE THEN ROTATE INTO PLACE



**3** APPLY PRESSURE FROM THE BOTTOM UNTIL THE LATCH LOCKS IN PLACE



**4** USE SCREW DRIVER TO REMOVE CASSETTE  
**(A)** PUSH INTO THE SLOT  
**(B)** TWIST THE HANDLE